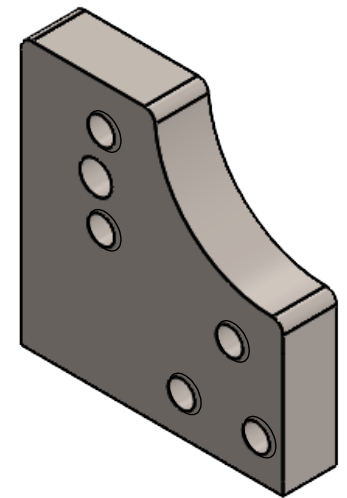



SECTION K-K



DEBURR AND
BREAK SHARP
EDGES

Qty	Part no.	Description	Material	Mass	Outer dimensions
40	31	Static FrontChip	AISI 321 Annealed Stainless Steel (SS)	18.636 g	24.5x25x5mm
UNLESS OTHERWISE SPECIFIED: Dimensions and finish according to NEN ISO 2768mK			 ROBOTEAM TWENTE TITLE: <h1>Static FrontChip</h1>		
	NAME	DATE	DWG NO.		
DRAWN	Chris	26-04-2024	312024		
CHK'D	Bas	30-04-2024	A3		
APPV'D	Razvan	02-05-2024	REV: 0		
DO NOT SCALE DRAWING			SCALE:2:1	SHEET 1 OF 1	