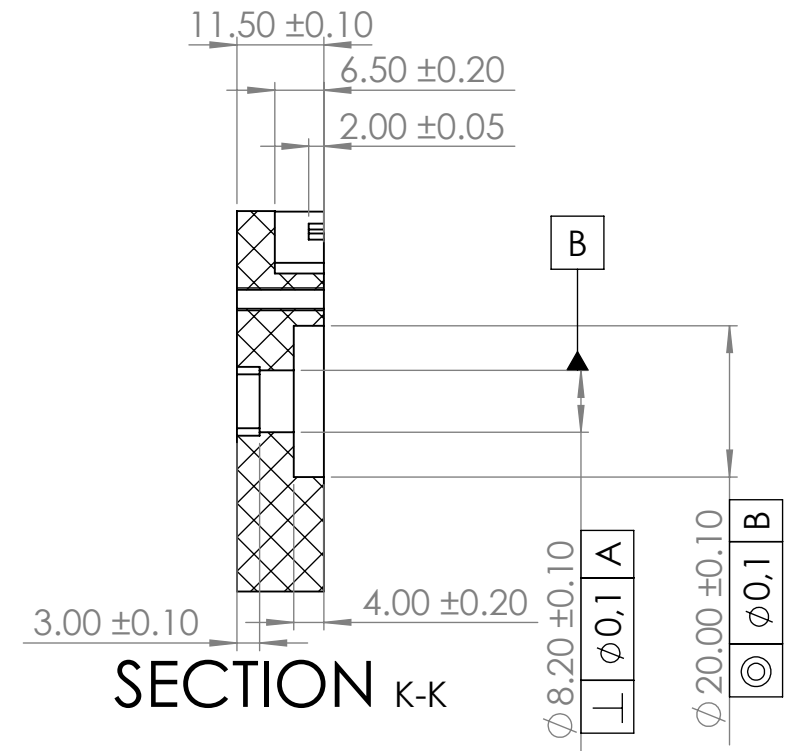
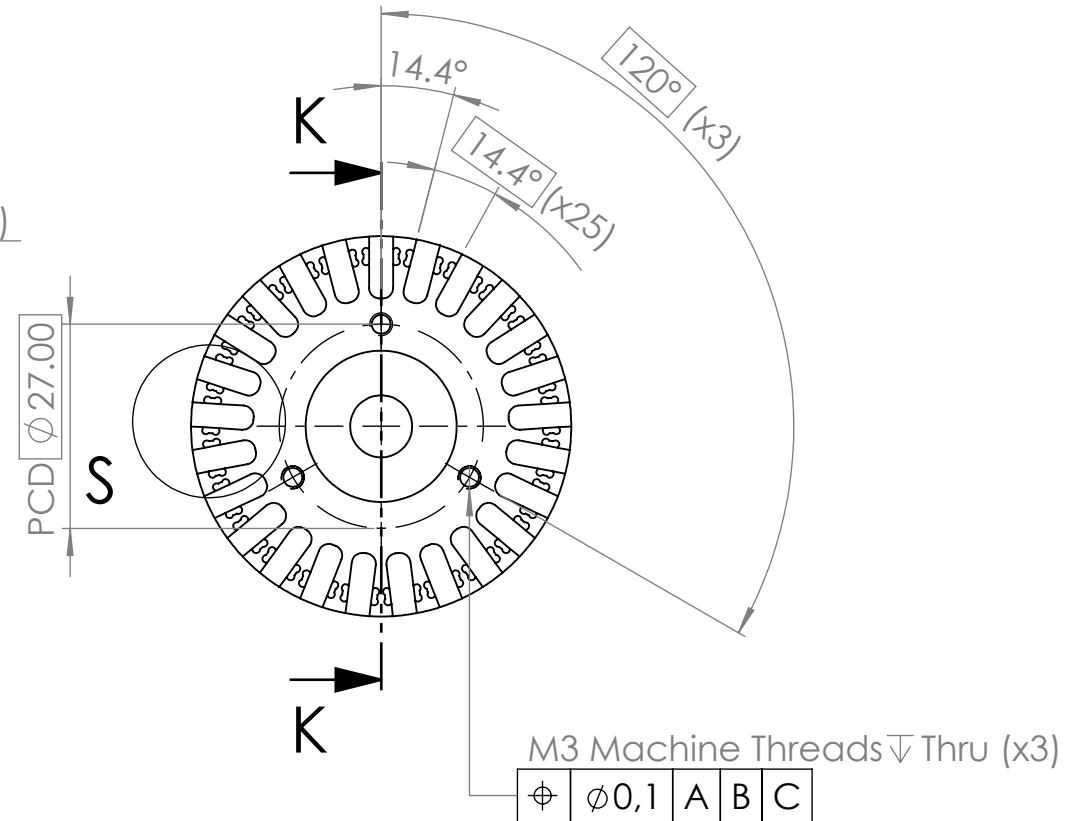
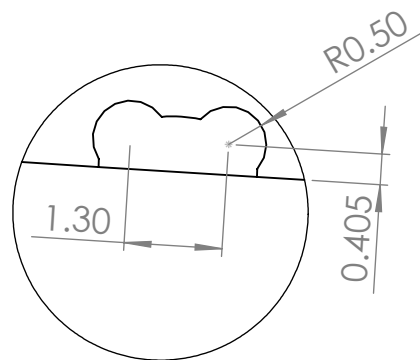
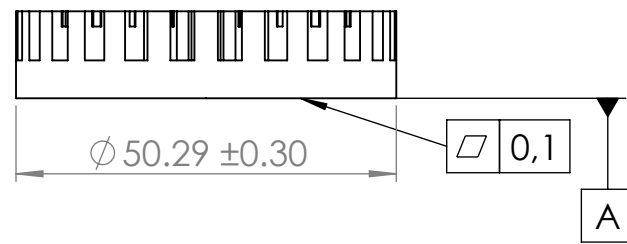


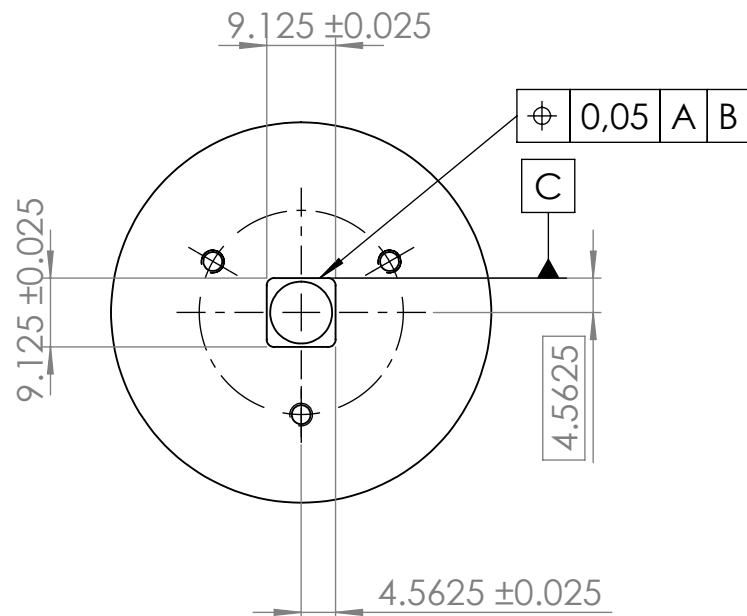
DETAIL _s Typical
SCALE 5 : 1




SECTION K-K



DETAIL _T
SCALE 10 : 1



DEBURR AND
BREAK SHARP
EDGES

Qty	Part no.	Description	Material	Mass	Outer dimensions
4	11	Wheel Main Frame	POM Acetal Copolymer	23.11 g	Ø57.29x11.5 mm
UNLESS OTHERWISE SPECIFIED: Dimensions and finish according to NEN ISO 2768mK			 ROBOTEAM TWENTE		
DRAWN		Chris	DATE	14-11-2023	
CHK'D		Bas	DATE	14-11-2023	
APP'VD		Razvan	DATE	15-11-2023	
DO NOT SCALE DRAWING			SCALE: 1:1		SHEET 1 OF 1
TITLE:			Wheel Main Frame		
DWG NO.			142023		A3
REV:					