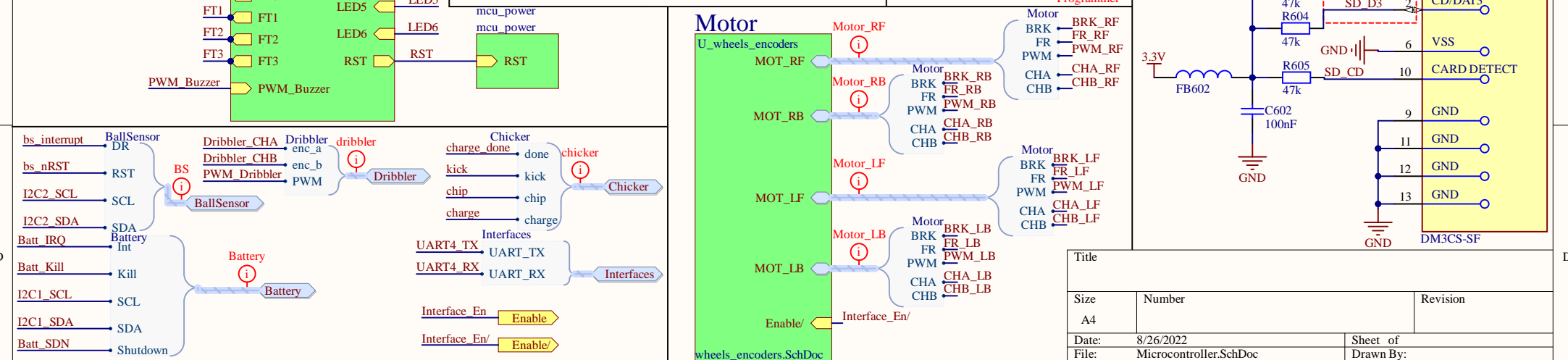
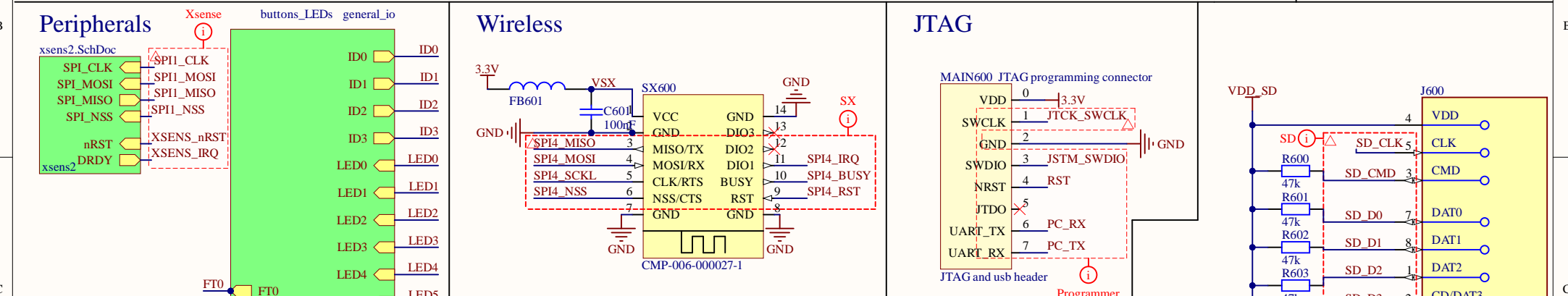
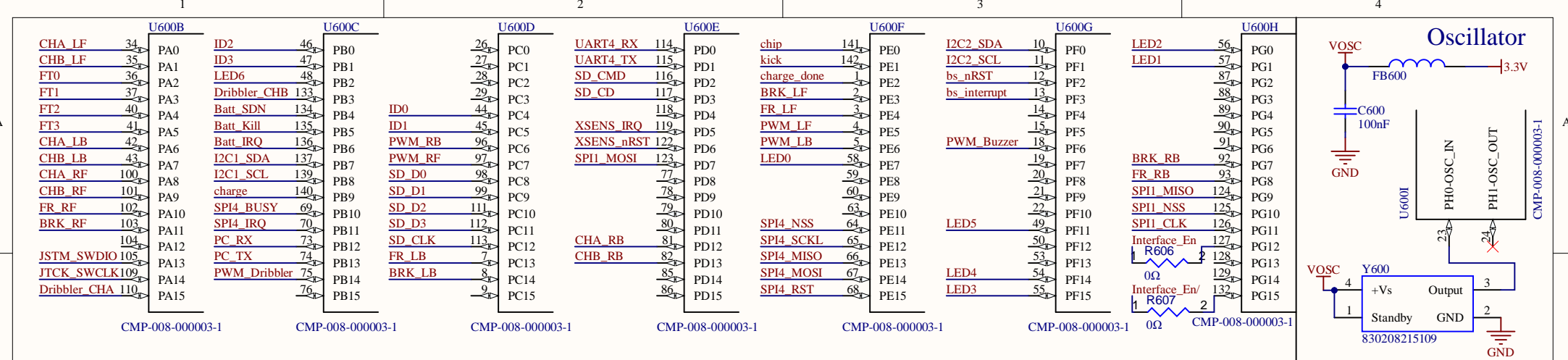
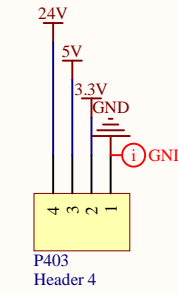
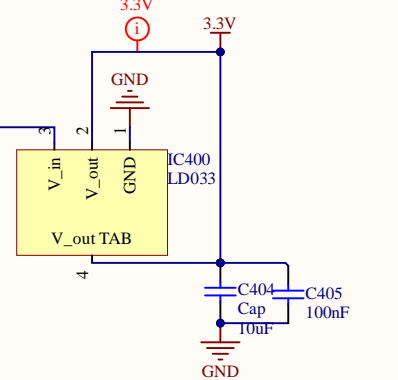
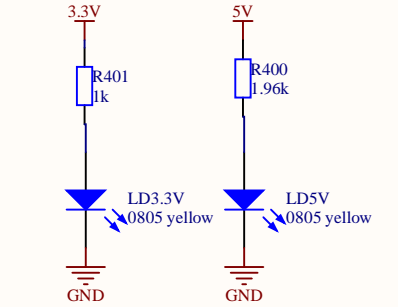
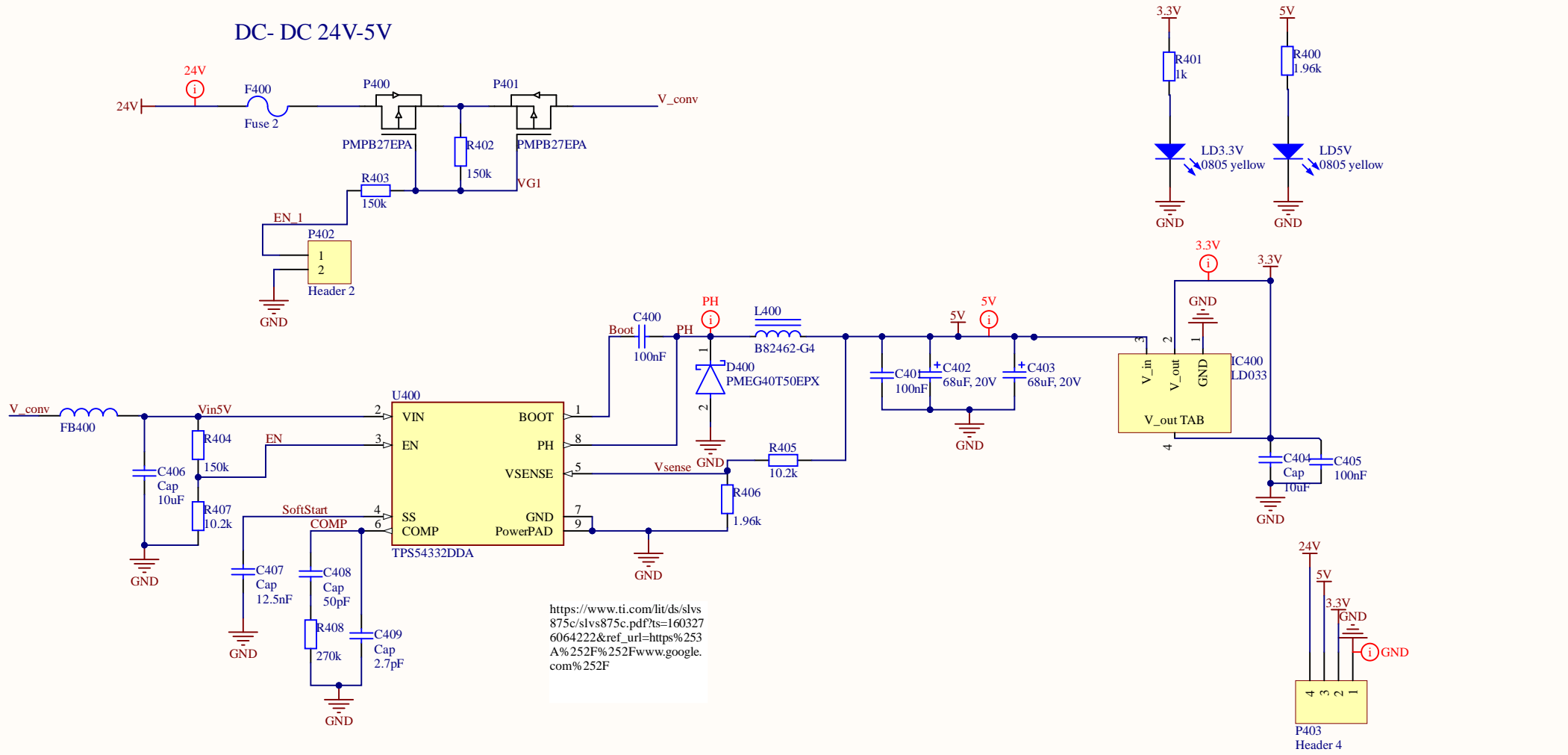


Title		
Size	Number	Revision
A4		
Date:	8/26/2022	Sheet of
File:	mcu_power.SchDoc	Drawn By:

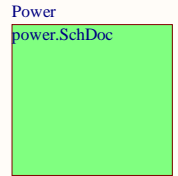
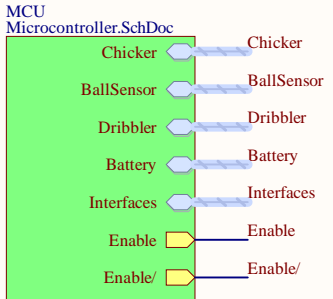
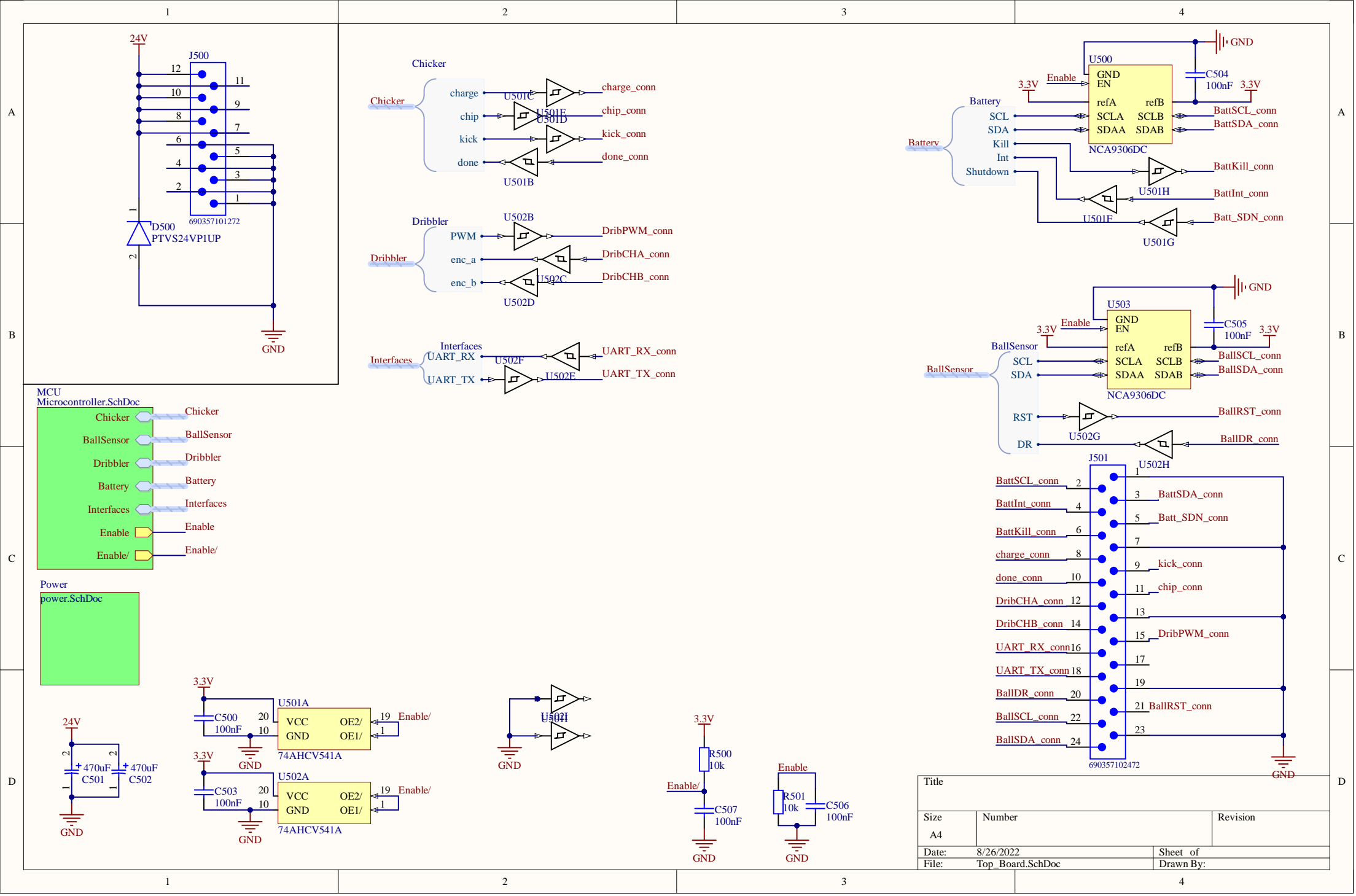


Title		
Size	Number	Revision
A4		
Date:	8/26/2022	Sheet of
File:	Microcontroller.SchDoc	Drawn By:

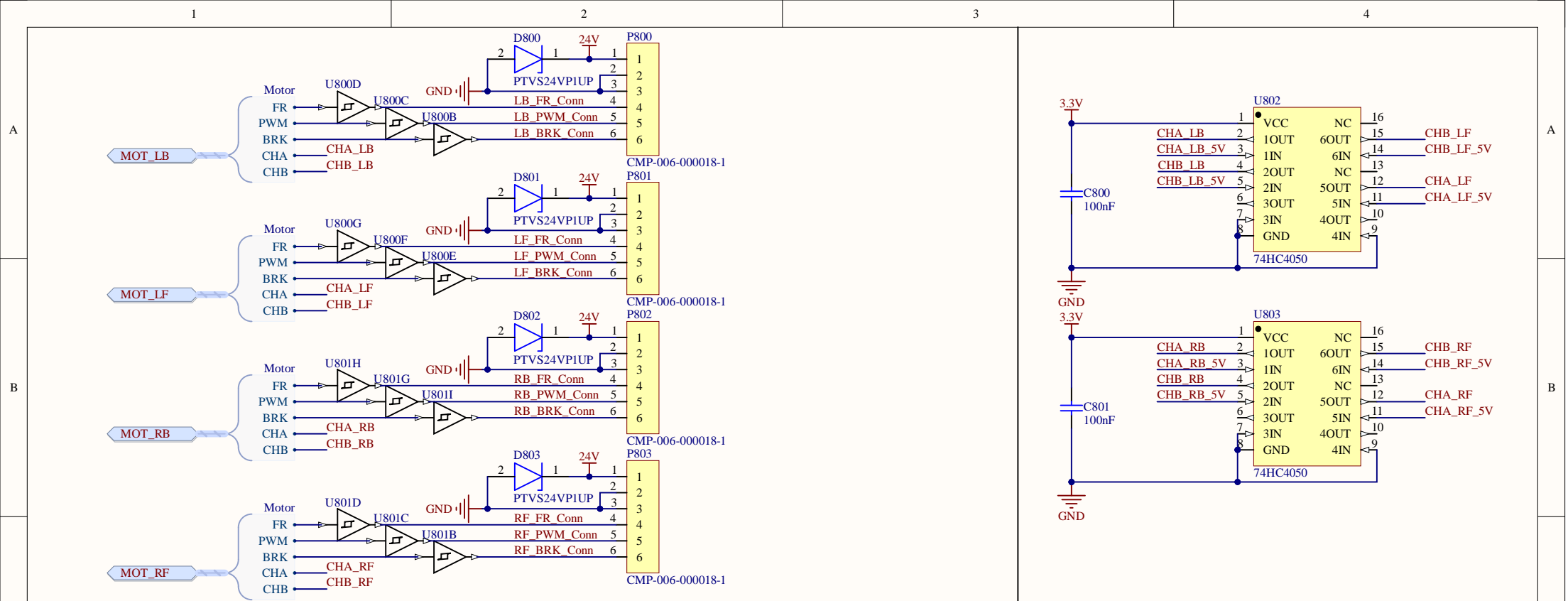
# DC-DC 24V-5V



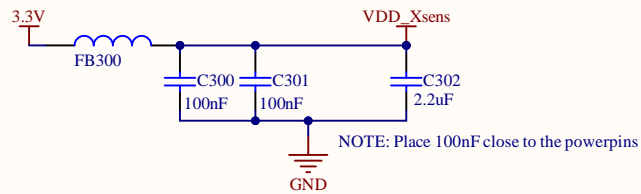
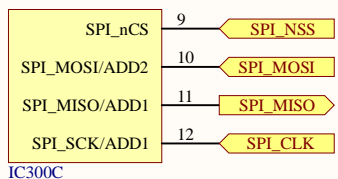
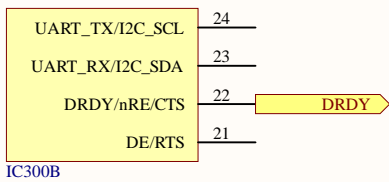
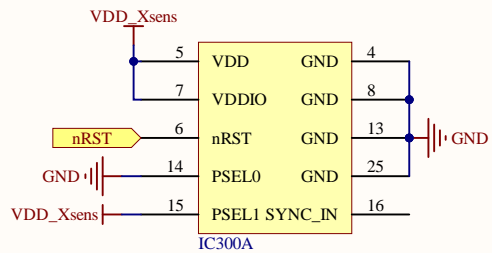
Title		
Size	Number	Revision
A4		
Date:	8/26/2022	Sheet of
File:	power.SchDoc	Drawn By:



Title		
Size	Number	Revision
A4		
Date:	8/26/2022	Sheet of
File:	Top_Board.SchDoc	Drawn By:



Title		
Size	Number	Revision
A4		
Date:	8/26/2022	Sheet of
File:	wheels_encoders.SchDoc	Drawn By:



Title		
Size A4	Number	Revision
Date: 8/26/2022	Sheet of	
File: xsens2.SchDoc	Drawn By:	