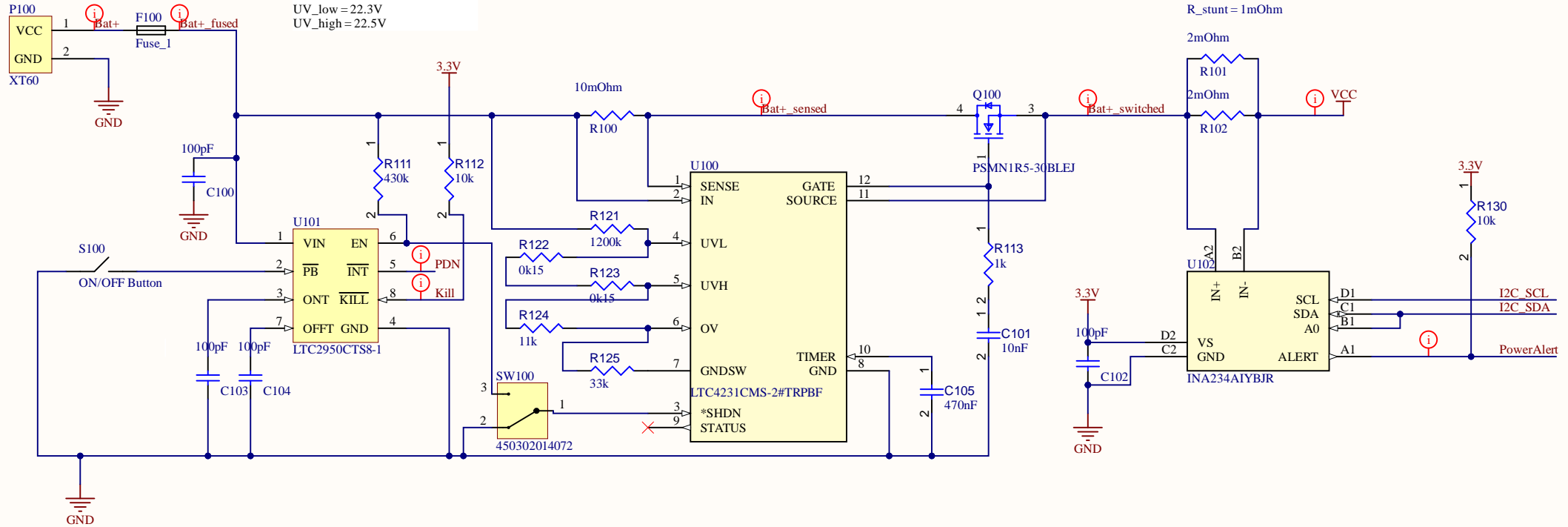
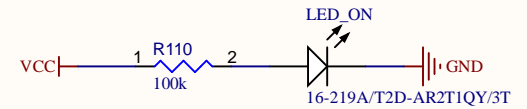


I_max = 6.5A
 T_startup_max = 11.2ms
 T_power_down_signal = 1024ms
 OV = 30V
 UV_low = 22.3V
 UV_high = 22.5V



Designator
H2-Connectors.SchDoc

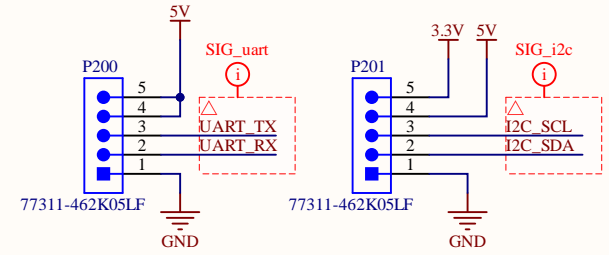
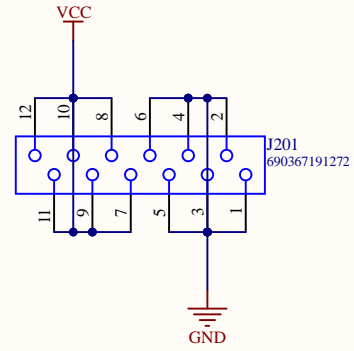
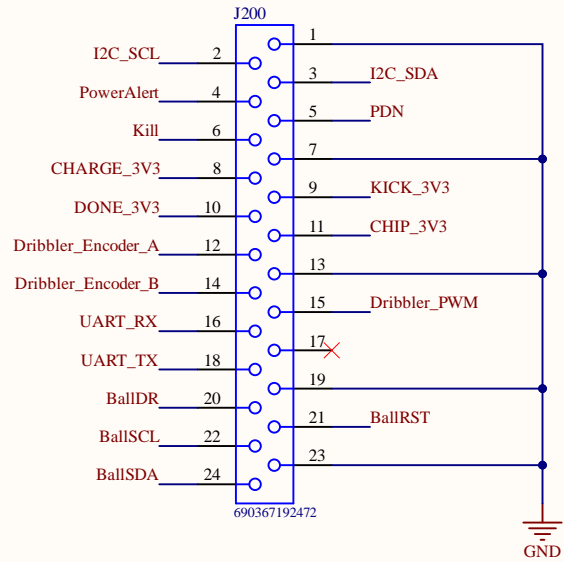
Designator
H3-PowerRegulators.SchDoc



Title		
Size A4	Number	Revision
Date: 8/25/2022	Sheet of	
File: H1-Backboard.SchDoc	Drawn By:	

A

A

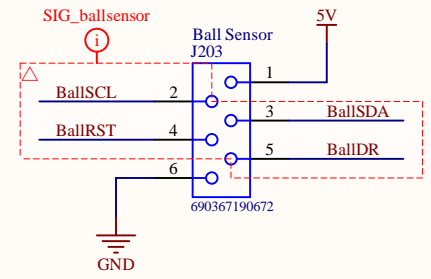
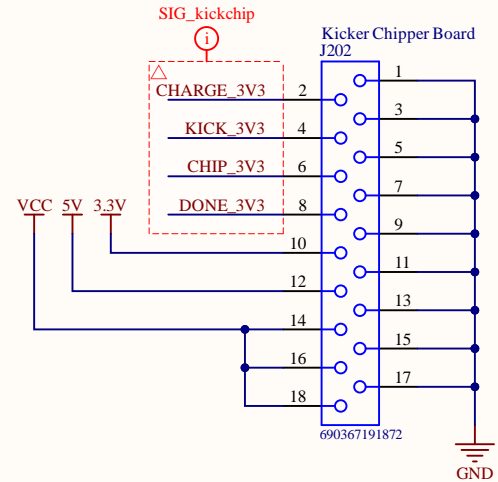
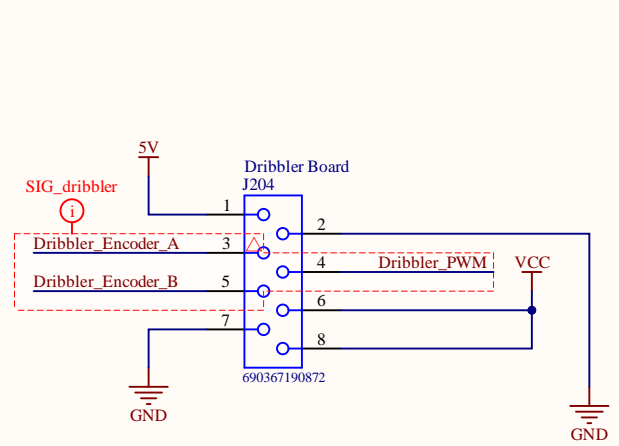


B

B

C

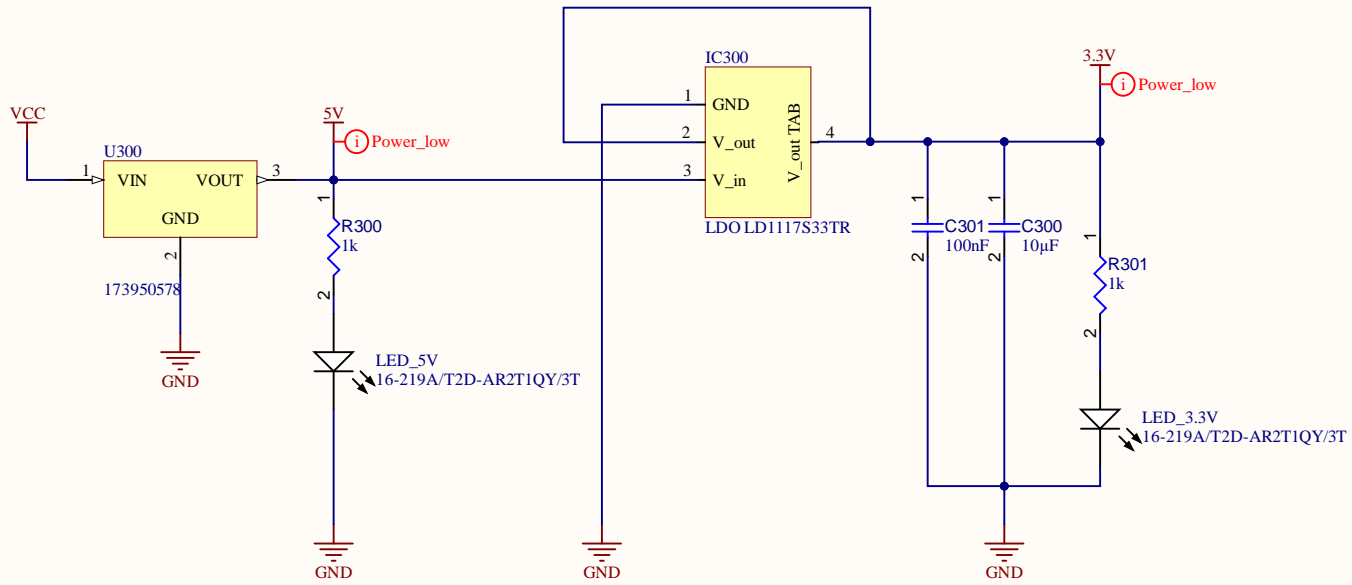
C



D

D

Title		
Size A4	Number	Revision
Date: 8/25/2022	Sheet of	
File: H2-Connectors.SchDoc	Drawn By:	



Title		
Size	Number	Revision
A4		
Date:	8/25/2022	Sheet of
File:	H3-PowerRegulators.SchDoc	Drawn By: