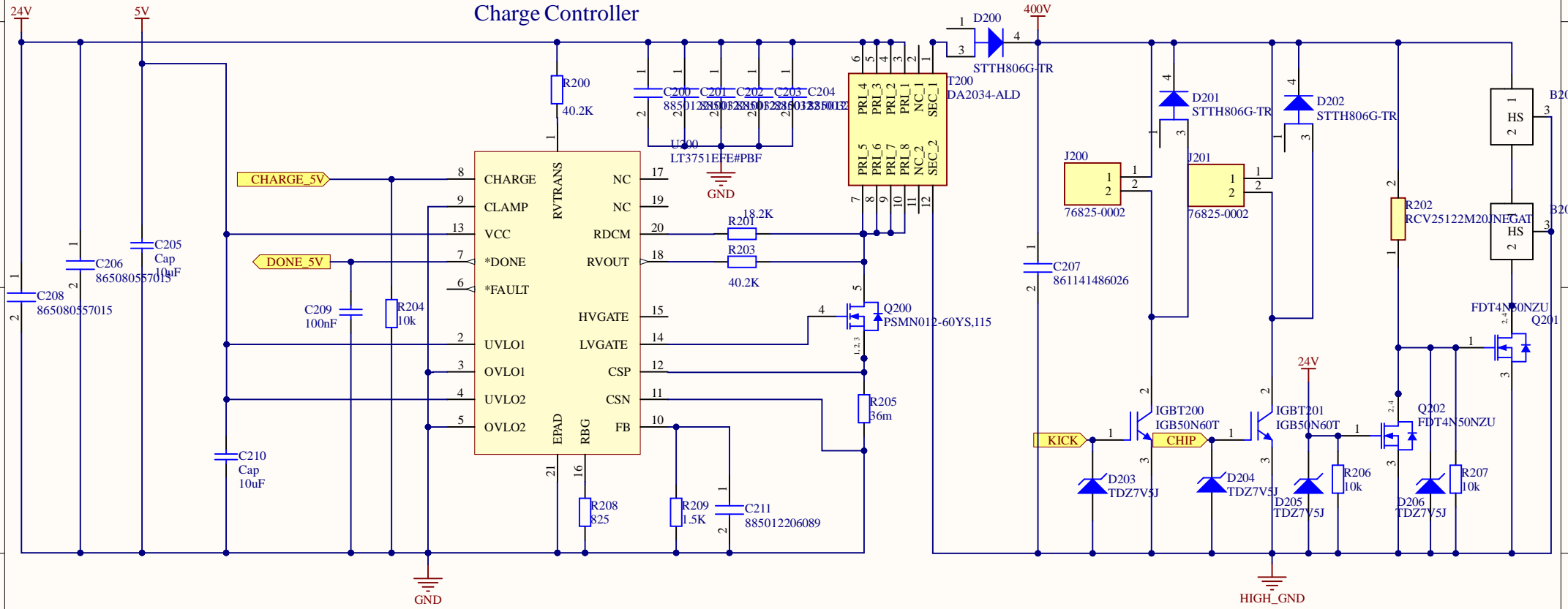
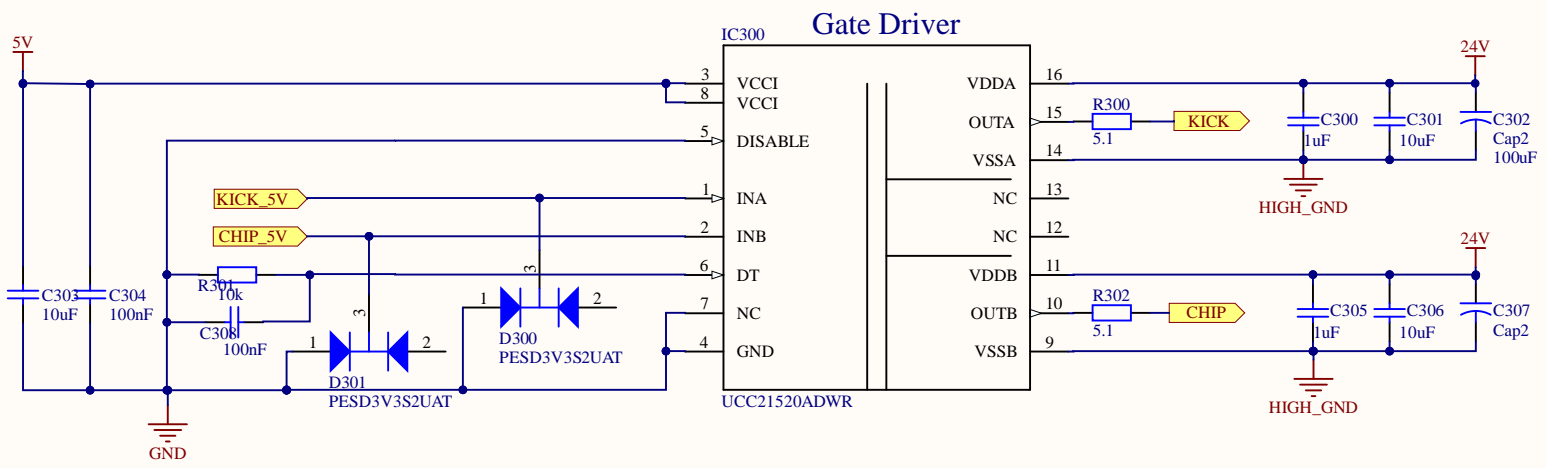


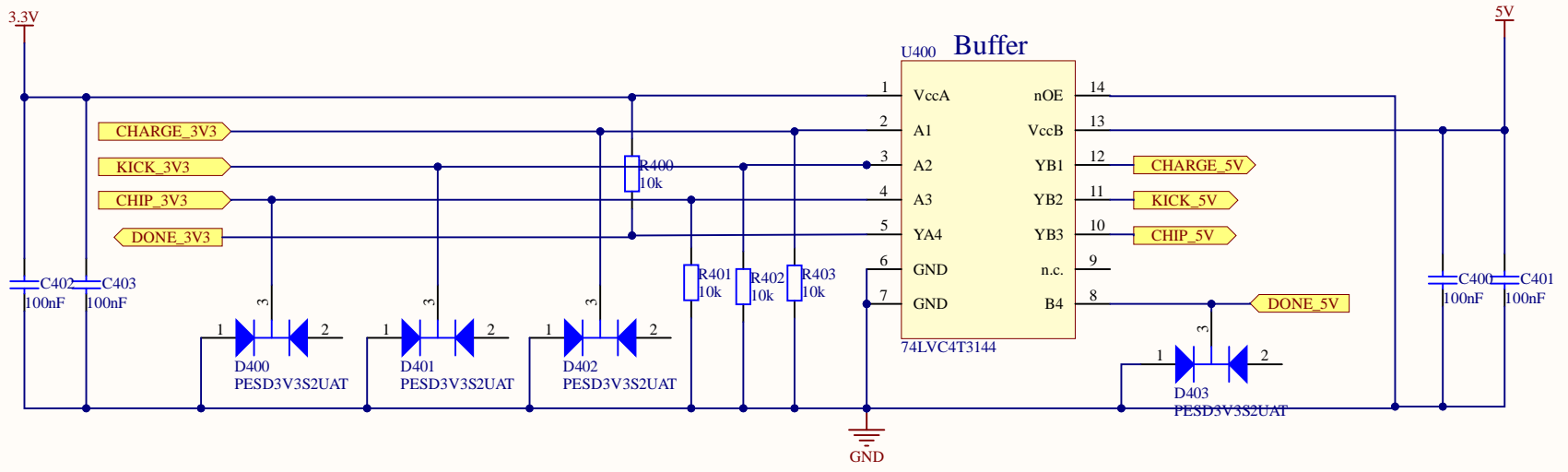
Title		
Size A4	Number	Revision
Date: 3/07/2022	Sheet of	
File: H1 - Interface.SchDoc	Drawn By:	



Title		
Size	Number	Revision
A4		
Date:	3/07/2022	Sheet of
File:	H2 - HV Circuit.SchDoc	Drawn By:



Title		
Size	Number	Revision
A4		
Date:	3/07/2022	Sheet of
File:	H3 - Gate Driver.SchDoc	Drawn By:



Title		
Size	Number	Revision
A4		
Date:	3/07/2022	Sheet of
File:	H4 - Buffer.SchDoc	Drawn By: