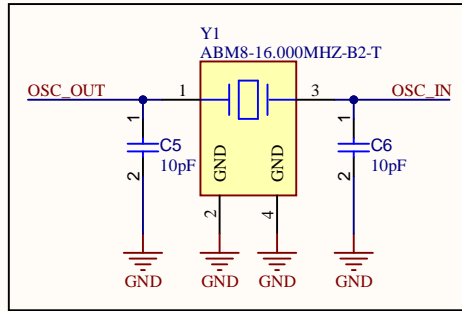
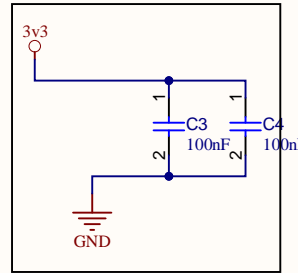


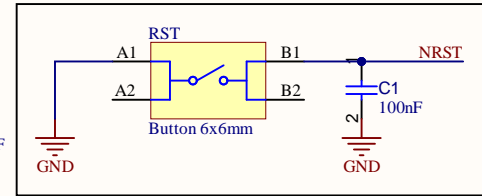
| | | |
|---------------------------|-----------|----------|
| Title | | |
| Size A4 | Number | Revision |
| Date: 8/24/2024 | Sheet of | |
| File: Top_level.SchDoc | Drawn By: | |



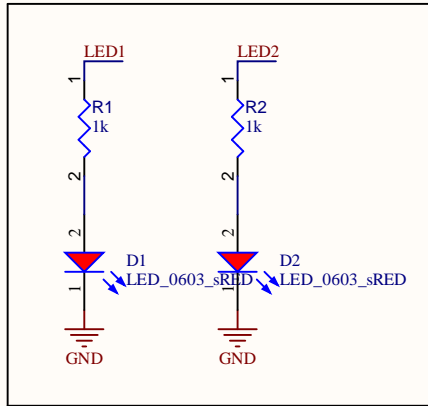
Crystal 16 MHz



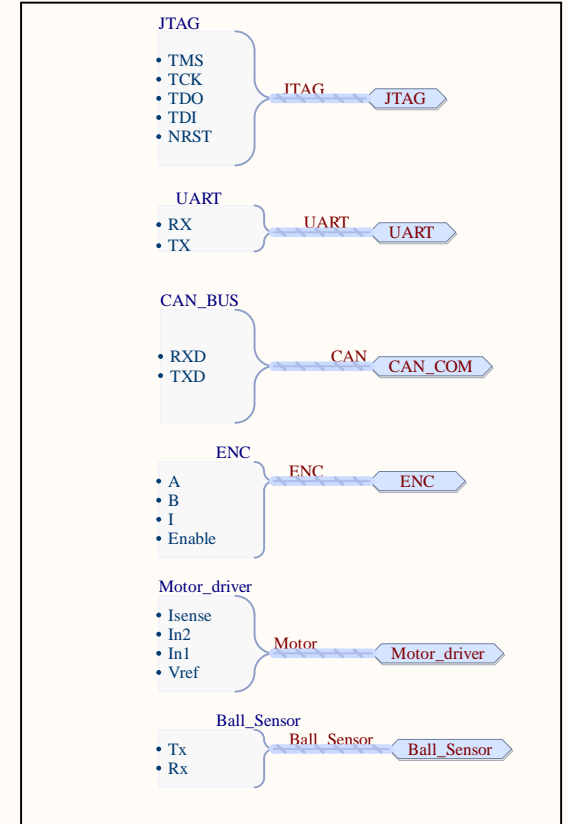
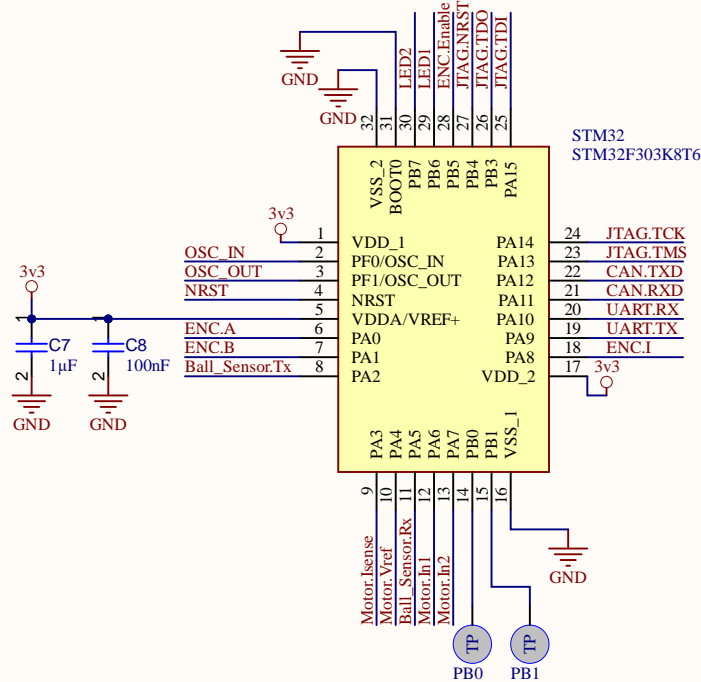
Power Supply Decoupling



Reset Button

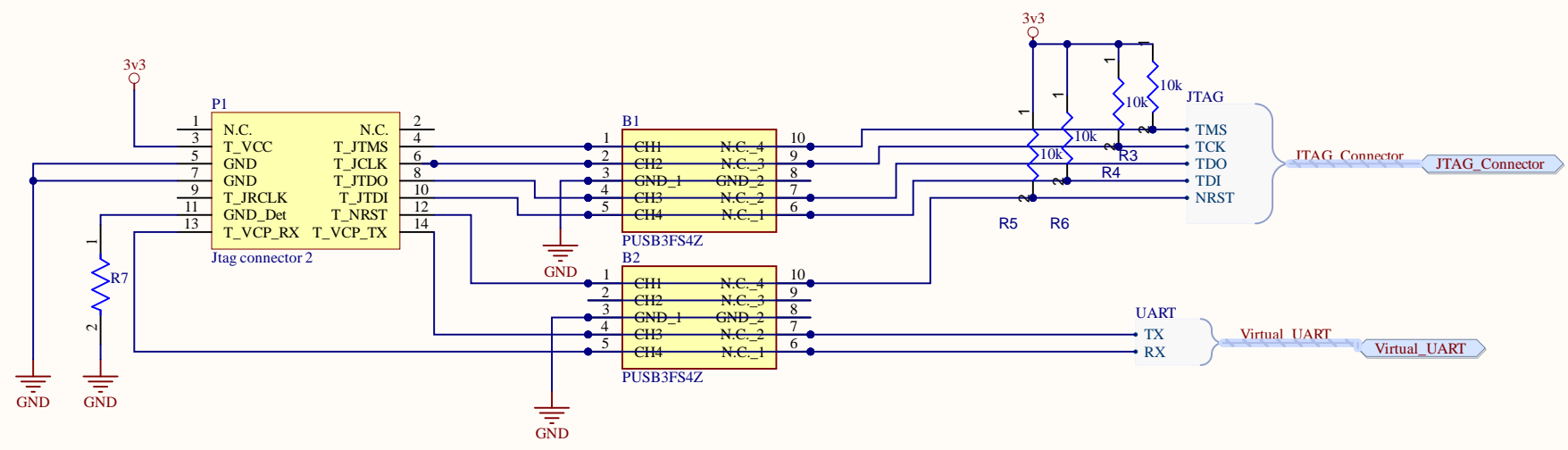


Debug LED's

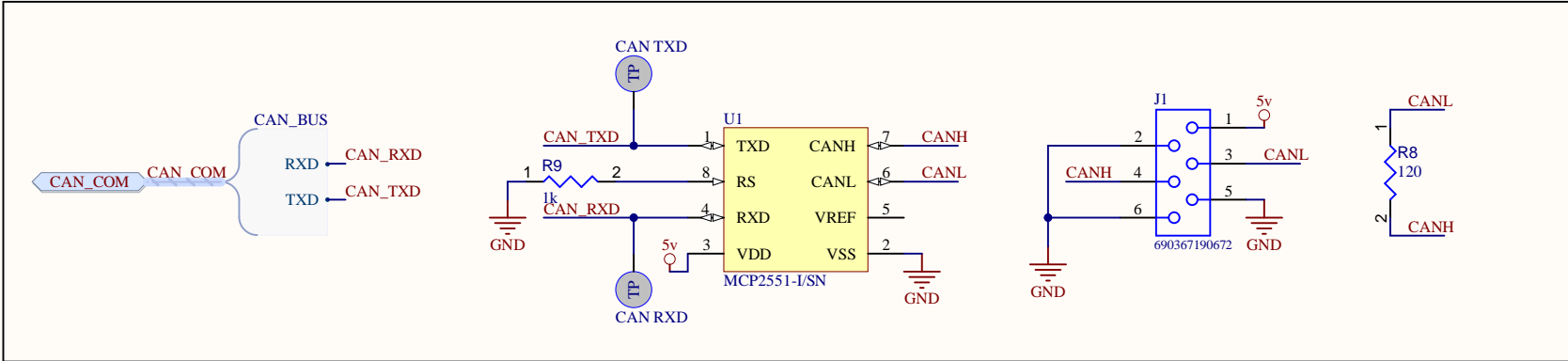


Communication Signals

| | | |
|-------|------------|-----------|
| Title | | |
| Size | Number | Revision |
| A4 | | |
| Date: | 8/24/2024 | Sheet of |
| File: | MCU.SchDoc | Drawn By: |

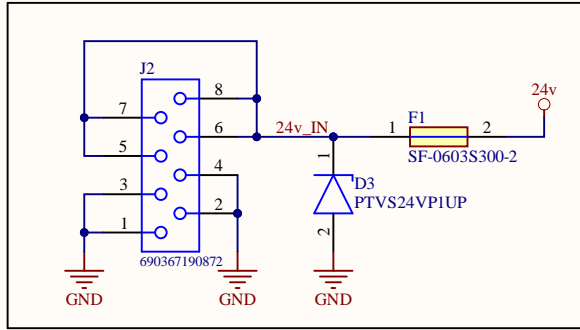


| | | |
|-------|-------------|-----------|
| Title | | |
| Size | Number | Revision |
| A4 | | |
| Date: | 8/24/2024 | Sheet of |
| File: | JTAG.SchDoc | Drawn By: |

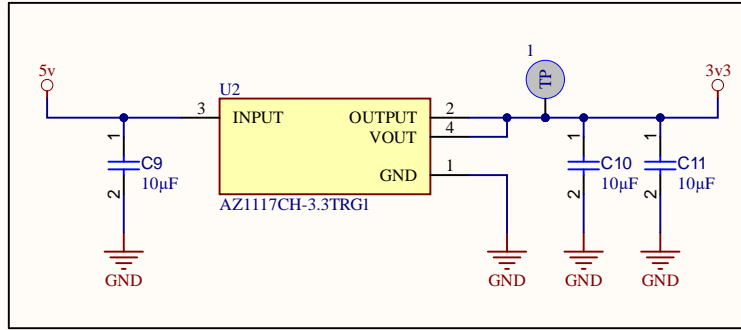


CAN Bus

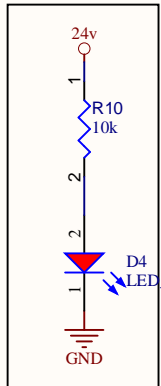
| | | |
|------------------|-----------|----------|
| Title | | |
| Size A4 | Number | Revision |
| Date: 8/24/2024 | Sheet of | |
| File: CAN.SchDoc | Drawn By: | |



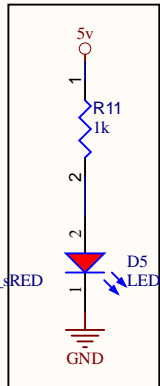
Power Connector



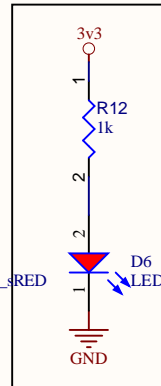
LDO



24v LED



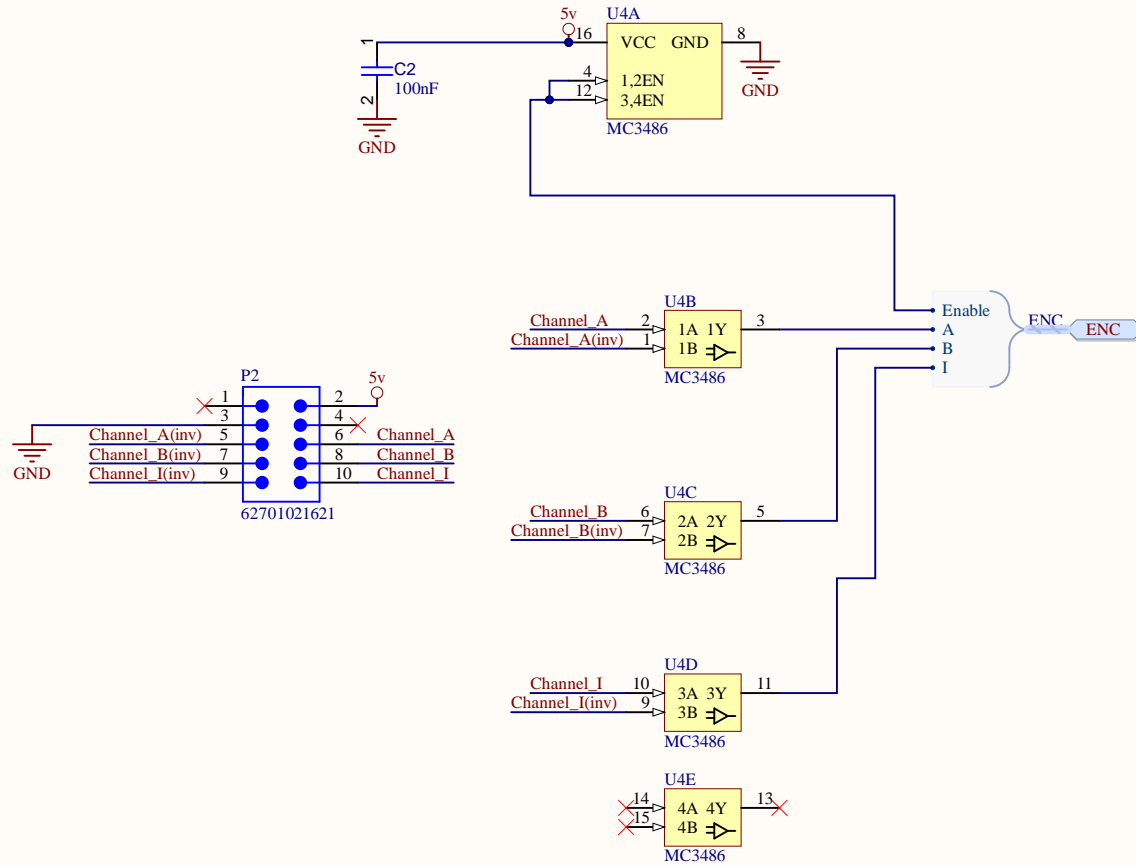
5v LED



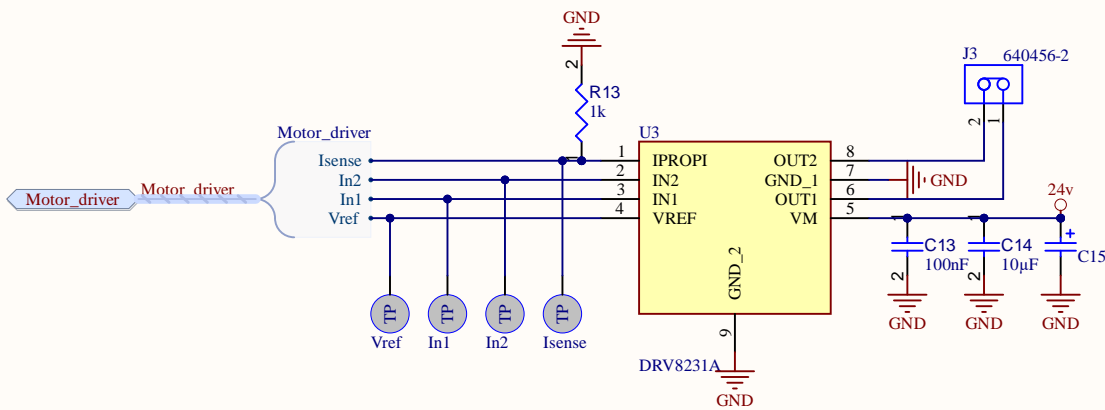
3v3 LED

| | | |
|--------------------|-----------|----------|
| Title | | |
| Size A4 | Number | Revision |
| Date: 8/24/2024 | Sheet of | |
| File: Power.SchDoc | Drawn By: | |

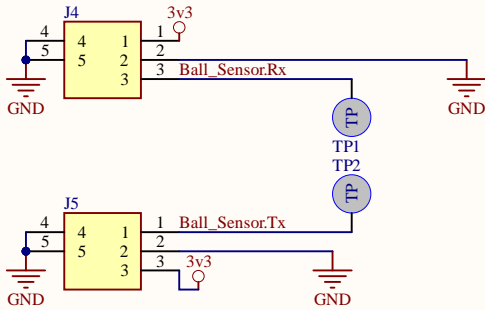
Encoder



| | | |
|----------------------|-----------|----------|
| Title | | |
| Size A4 | Number | Revision |
| Date: 8/24/2024 | Sheet of | |
| File: Encoder.SchDoc | Drawn By: | |



| | | |
|---------------------------|-----------|----------|
| Title | | |
| Size A4 | Number | Revision |
| Date: 8/24/2024 | Sheet of | |
| File: Motor_Driver.SchDoc | Drawn By: | |



| | | |
|--------------------------|-----------|----------|
| Title | | |
| Size A4 | Number | Revision |
| Date: 8/24/2024 | Sheet of | |
| File: Ball_Sensor.SchDoc | Drawn By: | |