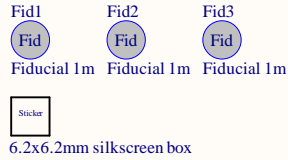
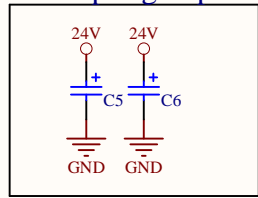
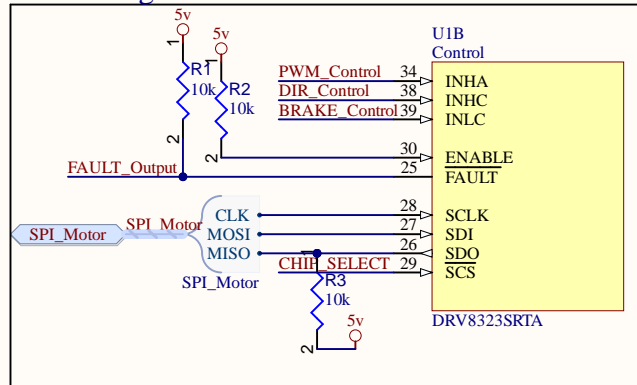


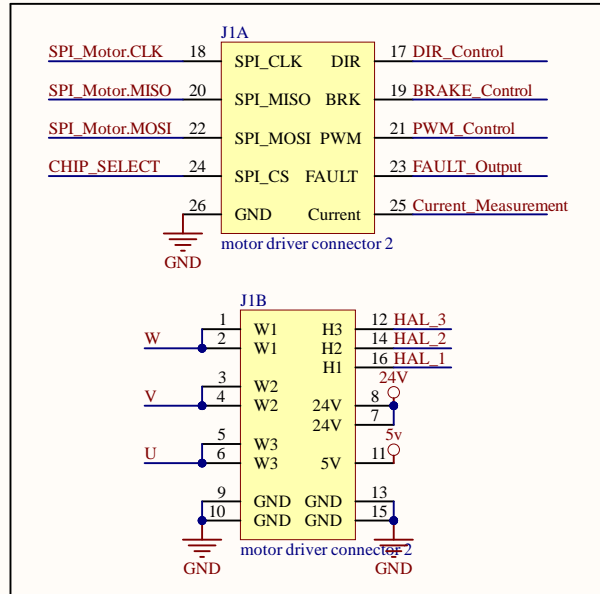
Decoupling Caps



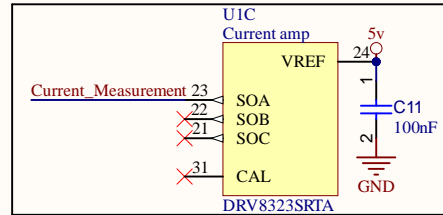
Control Signals



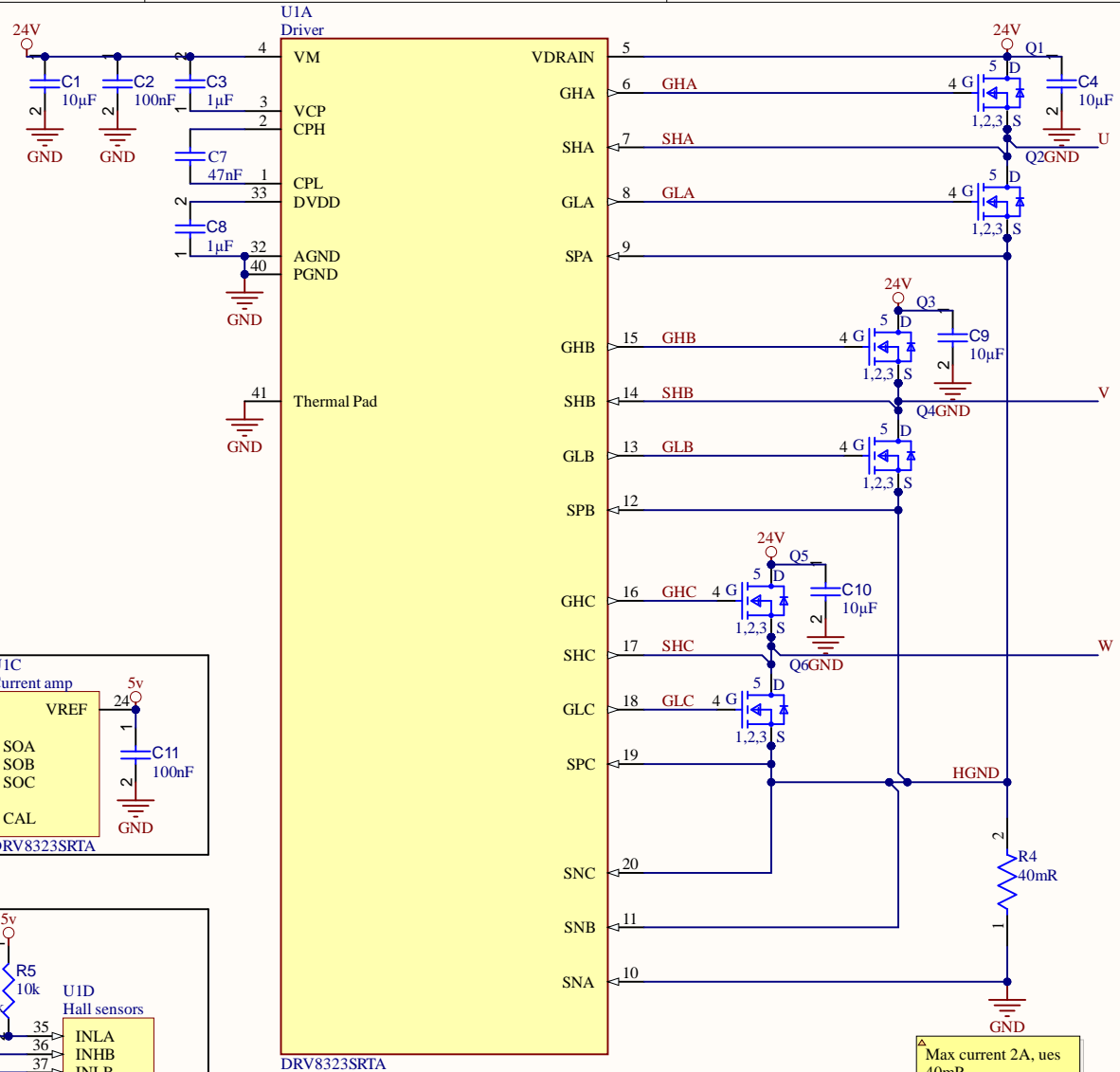
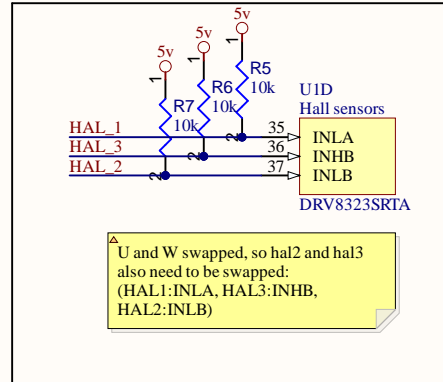
Connector



Current Sensor



Hall Sensor



Max current 2A, use 40mR resistor@40V/V to stay below 3.2V at output

Title		
Size	Number	Revision
A4		
Date:	8/19/2024	Sheet of
File:	Driver.SchDoc	Drawn By: